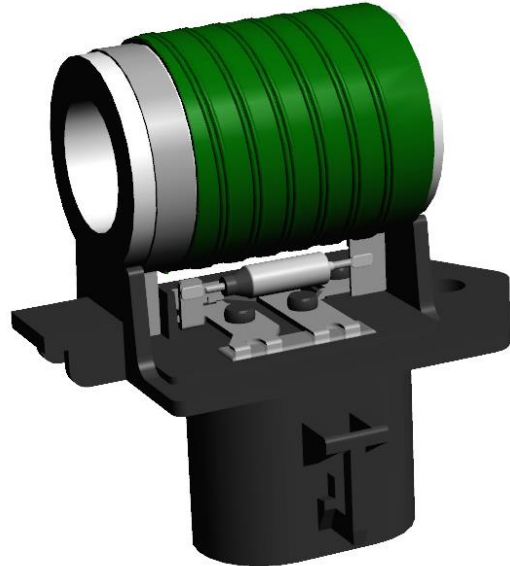


## DT-350 model

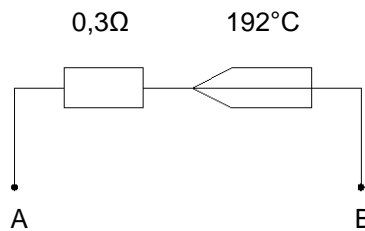
### Characteristic

Wire resistor type DT-350 is characterized by a high instantaneous load capacity. These type of resistors are used to reduce a radiator fan rotational speed. All DT-350 have a thermal fuse which disconnects blower circuit in emergency situations, after exceeding the specified safety temperature.

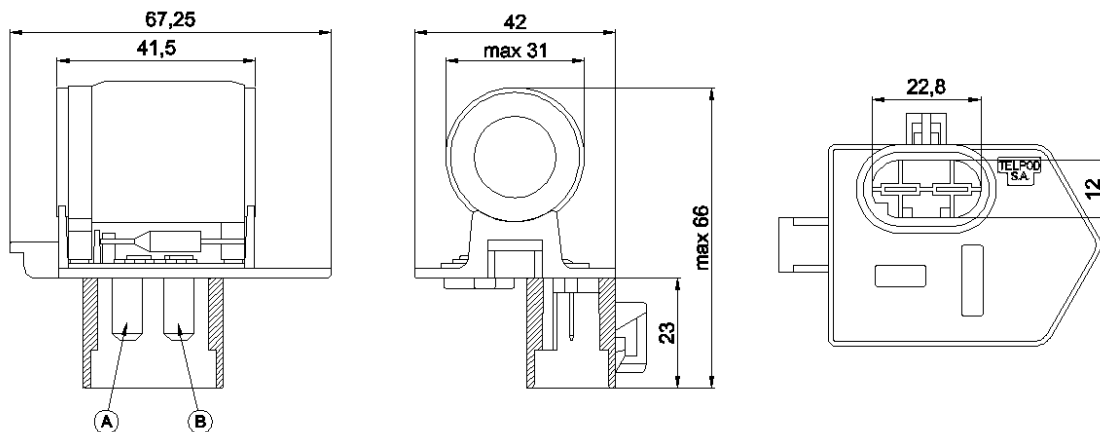


Parameter	Value
Operating voltage	24 V
Resistance tolerance	±10 %

### Schematic diagram



### Dimensions



### TELPOD S.A.

str. Pilsudskiego 63A  
32-050 Skawina  
[www.telpod.pl](http://www.telpod.pl)

Technical division: +48 (0)12 257 10 12  
Sales division: +48 (0)12 257 10 35  
fax: +48 (0)12 257 10 13  
e-mail: [telpod@telpod.pl](mailto:telpod@telpod.pl)

date: 04 / 2015  
Copyright 2015 by Telpod