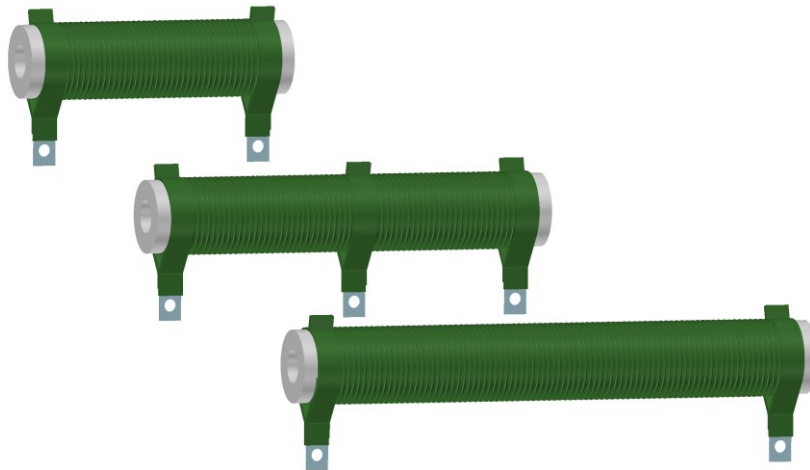


Characteristics



Description

A series of cylindrical wire resistors that are particularly used in high-power circuits and where high temperature stability is required. The resistor terminals are available in a clamp version.

Application examples:

- load tests
- braking of transducers

Features

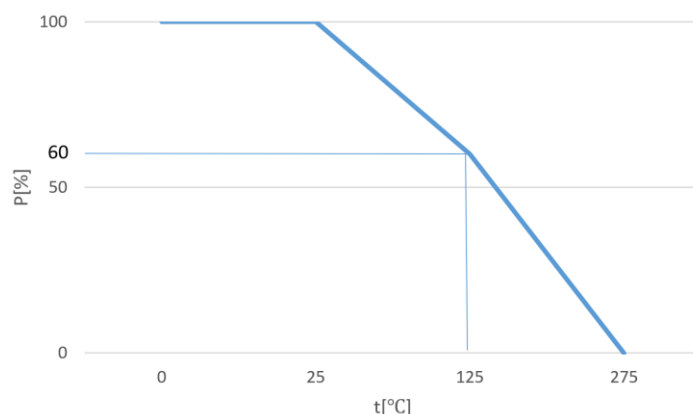
- high rated power
- high operating voltage
- wide resistance range
- RoHS, REACH compliant



Technical specifications

	RD 50	RD 75	RD 100
Rated power	50W	75W	100W
Limit voltage	4000V	4000V	6000V
Resistance range	1Ω – 100kΩ		
Range of tolerance	20%, 10%, 5%, 1%		

Permissible power dissipated on the resistor



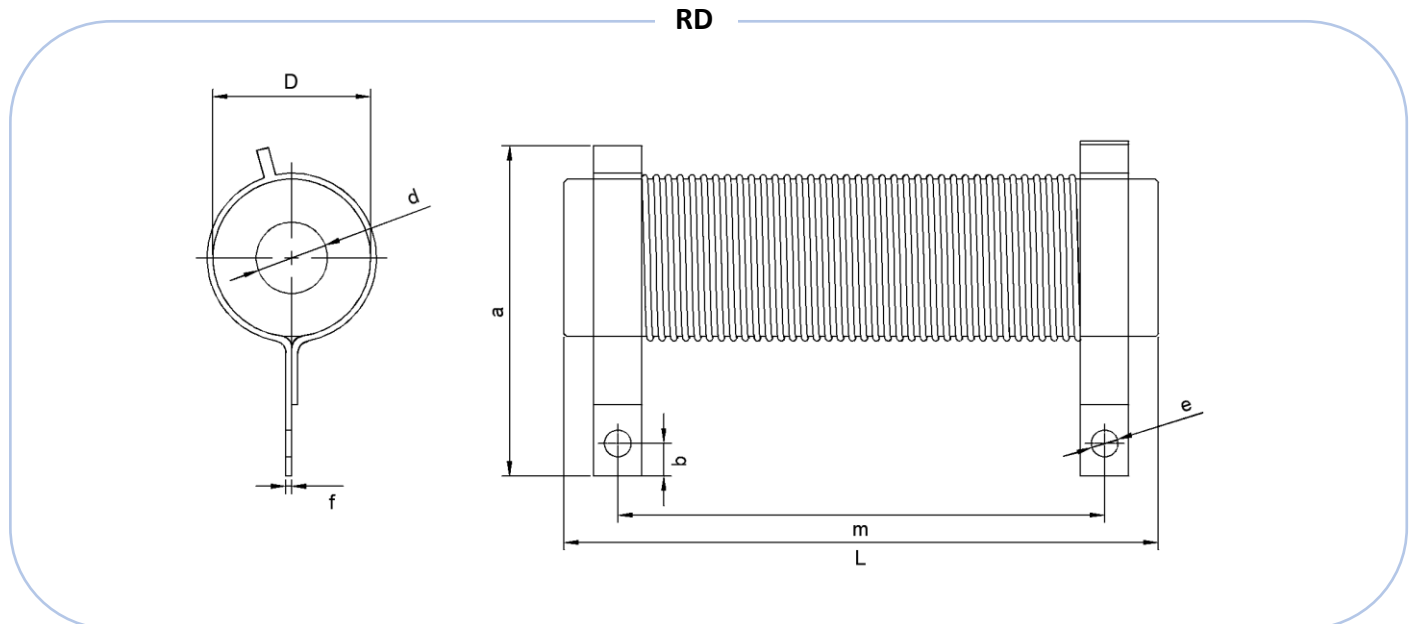
RD

26.09.2023 / ver. 1.0

CYLINDRICAL WIREWIRE RESISTORS SERIE

Page 2 z 2

External dimension [mm]



For more detailed information, please contact the technical department

	L_{max}	m_{max}	a_{max}	b	e	D_{max}	d	f
RD 50	100	79	56	5,8±0,3	4,5	29±2	12	1
RD 75	150	129						
RD 100	195	179						

Ordering information

Series		Power		Resistance		Tolerance
RD	-	50	-	1-100kΩ	-	20%
		75				10%
		100				5%
						1%

Example: RD-75-125-5

TELPOD S.A.
ul. Piłsudskiego 63A
32-050 Skawina
www.telpod.pl

Sales Division
Tel.: +48 518 612 047
zamowienia@telpod.pl

Technical Division
mikrouklady@telpod.pl
konstrukcja@telpod.pl

