

## MGRM

Series of thick film resistors

02.06.2023 / ver. 1.0

Page 1 z 3

### Characteristics



### Description

A series of high power thick film resistors. They are especially used in circuits where minimum self-inductance of the resistor is required. Resistor ends are available as a clamp or a cap. Application examples:

- power supplies, filters
- braking resistor
- power dividers
- capacitor discharge/charge systems

### Features

- minimum self-inductance of the resistor
- high power
- wide resistance range
- compliant with z RoHS, REACH



### Technical Specifications

	MGRM 40	MGRM 63	MGRM 100
Rated power	40W	63W	100W
Limit voltage	4000V	4000V	6000V
Resistance range	10Ω – 0,5MΩ		
Range of toleracne	20%, 10%, 5%, 1%		

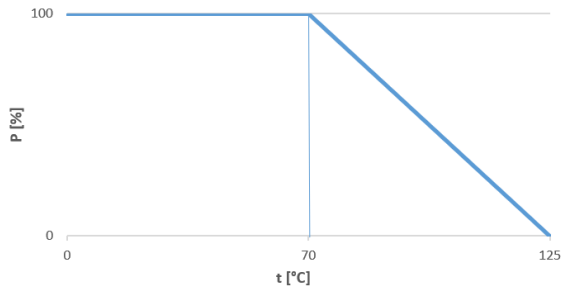
## MGRM

02.06.2023 / ver. 1.0

Series of thick film resistors

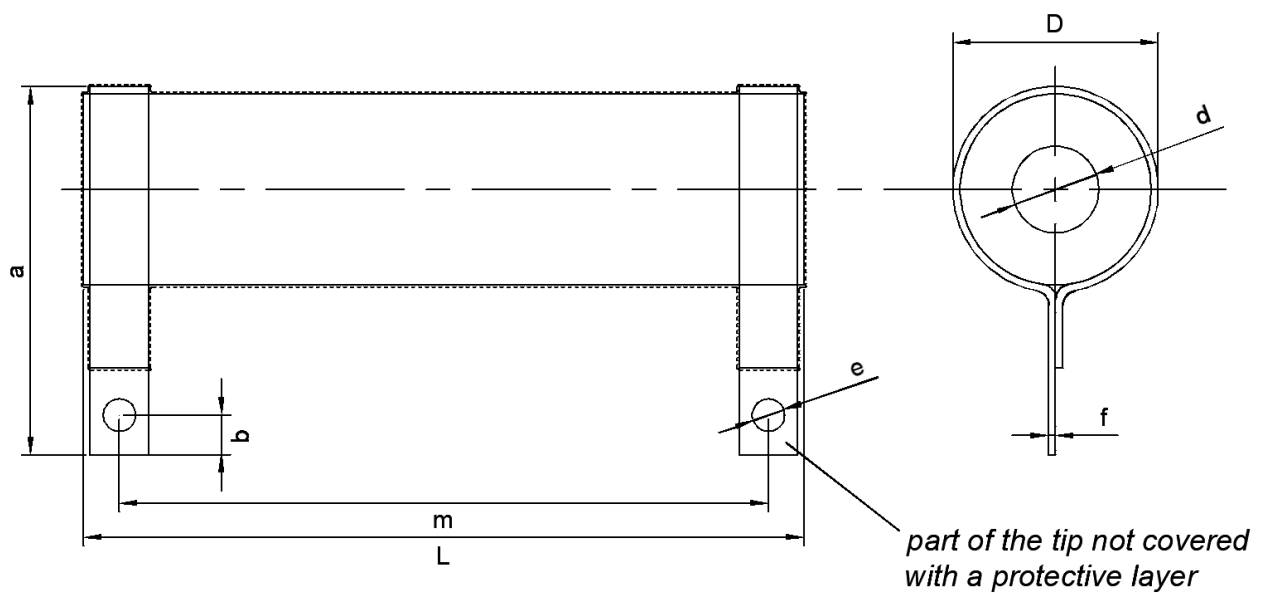
Strona 2 z 3

### Permissible power dissipated on the resistor



### External dimensions [mm]

MGRM – XX/1



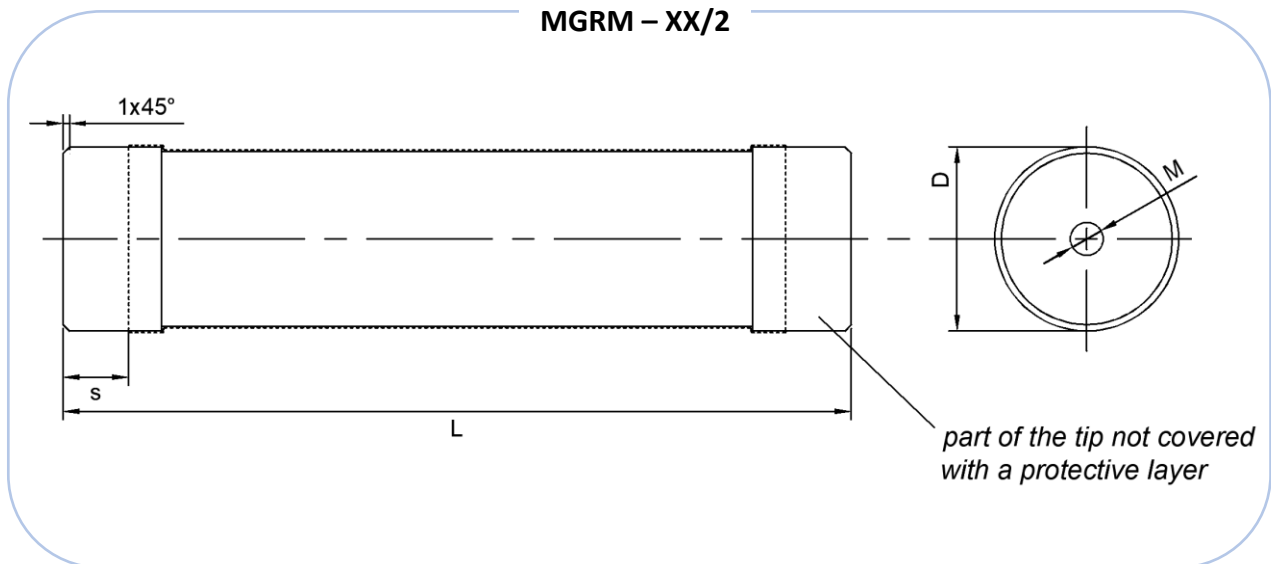
	$L_{max}$	$m_{max}$	$a_{max}$	$b$	$e$	$D_{max}$	$d$	$f$
MGRM 40/1	102	92	55	$5,8 \pm 0,3$	4,5	29	12	1
MGRM 63/1	152	142						
MGRM 100/1	200	192						

## MGRM

02.06.2023 / ver. 1.0

Series of thick film resistors

Page 3 z 3



	$L_{max}$	$D_{max}$	s	M
<b>MGRM - 40/2</b>	122	28	10	M5
<b>MGRM - 63/2</b>	171			
<b>MGRM - 100/2</b>	220			

For more detailed information, please contact the technical department

### Ordering informations

Series	Power	Tip type	Resistance	Tolerance
MGRM	40 63 100	1 2	10Ω ... 0,5MΩ	20%, 10%, 5%, 1%

Example: MGRM – 63/2 – 150R – 5%

**TELPOD S.A.**  
ul. Piłsudskiego 63A  
32-050 Skawina  
www.telpod.pl

**Sales Division**  
Tel.: +48 518 612 047  
zamowienia@telpod.pl

**Technical Division**  
Tel.: +48 (0)12 257 10 12  
mikrouklady@telpod.pl

