

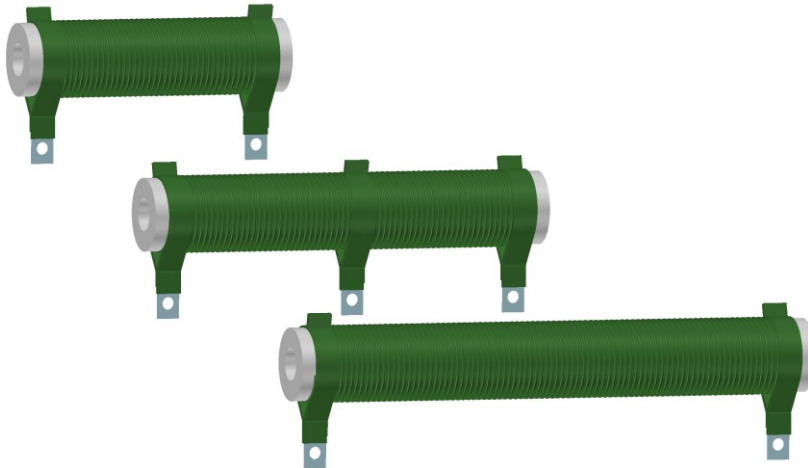
RDX

28.09.2023 / ver. 1.0

CYLINDRICAL WIREWIRE RESISTORS SERIE

Page 1 z 2

Characteristics



Description

A series of cylindrical wire resistors that are particularly used in high-power circuits and where high temperature stability is required. The resistor terminals are available in a clamp version.

Application examples:

- load tests
- braking of transducers

Features

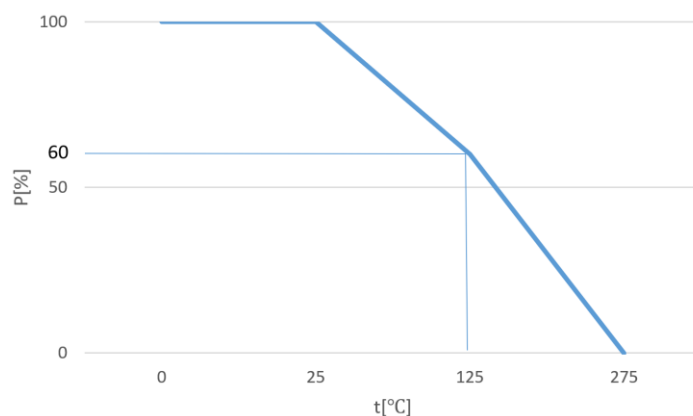
- high rated power
- high operating voltage
- wide resistance range
- RoHS, REACH compliant



Technical specifications

	RDX 200	RDX 300	RDX 500
Rated power	200W	300W	500W
Limit voltage	6000V	7000V	7000V
Resistance range	1Ω – 50kΩ		
Range of tolerance	20%, 10%, 5%, 1%		

Permissible power dissipated on the resistor



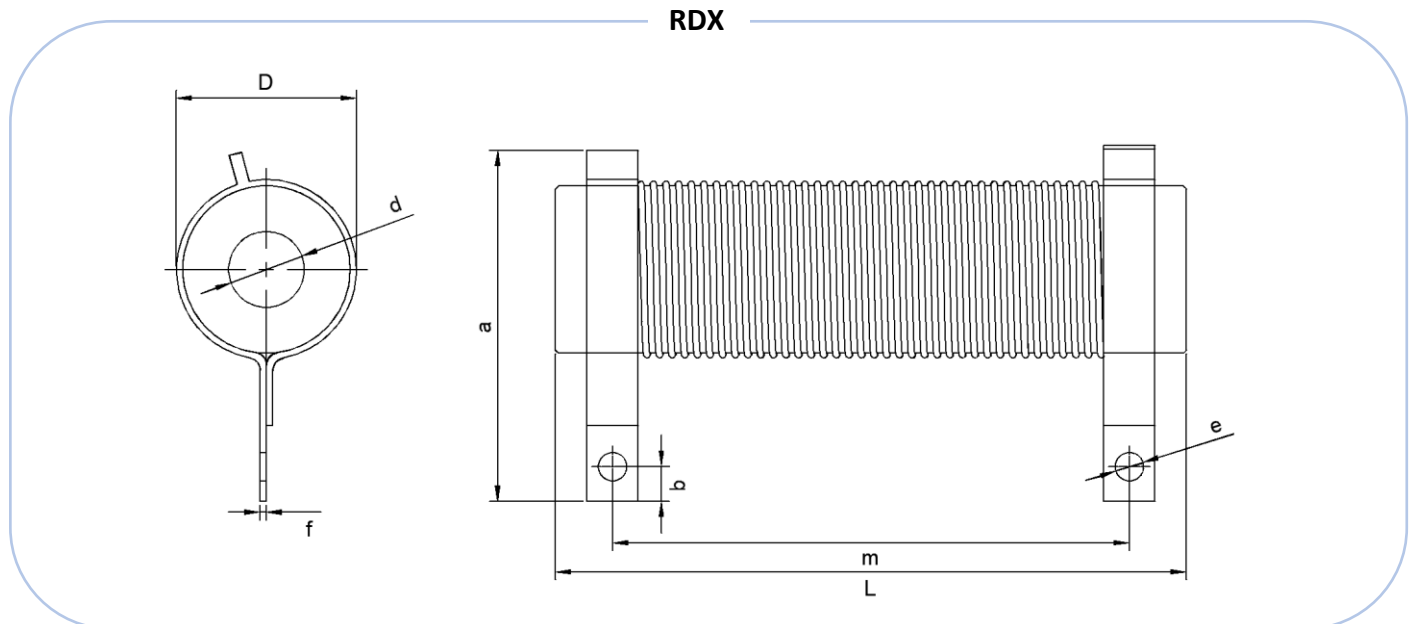
RDX

28.09.2023 / ver. 1.0

CYLINDRICAL WIREWIRE RESISTORS SERIE

Page 2 z 2

External dimension [mm]



For more detailed information, please contact the technical department

	L_{max}	m_{max}	a_{max}	b	e	D_{max}	d	f
RDX 200	200	172	70	$5\pm 0,3$	4	34 ± 2	15	1
RDX 300	280	224	85	$7\pm 0,3$	5	46 ± 2	28	
RDX 500	280	224	100	$11\pm 0,3$	5	61 ± 2	40	

Ordering information

Series	Power	Resistance	Tolerance
RDX	200W	1Ω-50kΩ	20%
	300W		10%
	500W		5%
			1%

Example: RDX-75-125-5

TELPOD S.A.
 ul. Piłsudskiego 63A
 32-050 Skawina
 www.telpod.pl

Sales Division
 Tel.: +48 518 612 047
 zamowienia@telpod.pl

Technical Division
 mikrouklady@telpod.pl
 konstrukcja@telpod.pl

