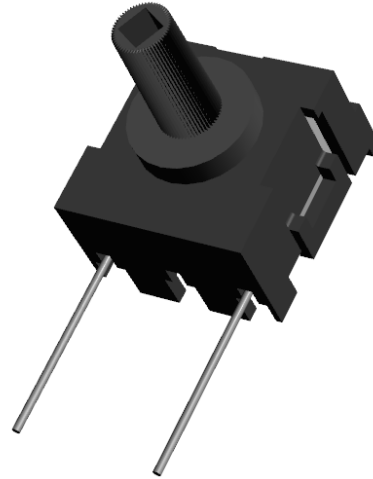


CWM series

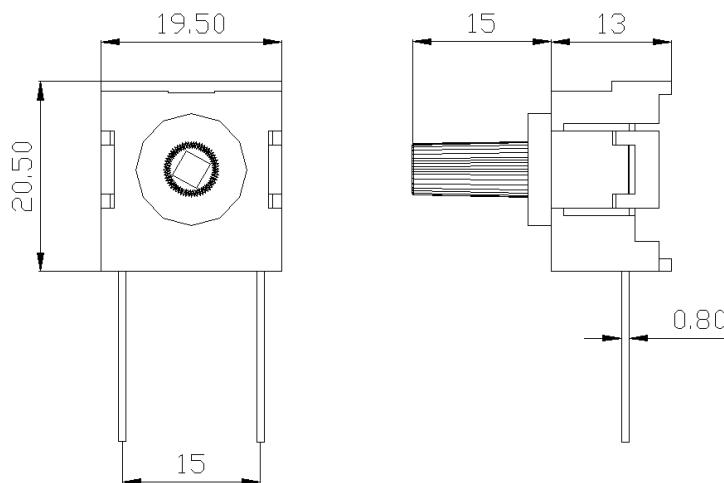
Characteristic

CWM series rotary cermet adjustable resistors are enclosed in a nonflammable plastic material, with cermet resistive element, which is characterized by a greater durability than a typical carbon track. The characteristic of resistor is linear (A), element is adapted for working with a high voltage, for example in a high voltage multiplier units. Potentiometers with 5% and 10% tolerance are available on request.



| <u>Parameter</u> | <u>Value</u> |
|--------------------------------|---------------------|
| Nominal resistance | E6 serie |
| Range of available resistances | up to 42 M Ω |
| Resistance tolerance | $\pm 15\%$ |
| Operating voltage | 2,4 kV |
| Maximum voltage | 3,4 kV |
| Insulation resistance | 1 G Ω |
| Climatic category | 25/070/21 |

Dimensions



TELPOD S.A.

str. Piłsudskiego 63A
32-050 Skawina
www.telpod.pl

Technical division: +48 (0)12 257 10 12
Sales division: +48 (0)12 257 10 35
fax: +48 (0)12 257 10 13
e-mail: potentiometer@telpod.pl

date: 04 / 2015
Copyright 2015 by Telpod