

GL-251 series

Characteristic

GL-251 series amplifiers are made in a thick film technology, on ceramic substrates (Al_2O_3 96%). Whole circuit is encapsulated with epoxy resin by fluidization process. GL-251 series elements are used as a microphone amplifiers, adapted to cooperate with dynamic microphones with resistance 600 Ω . Amplifier has a loop of negative feedback. The main feature of such solution is the constancy of parameters in the whole range of temperature and supply voltage.

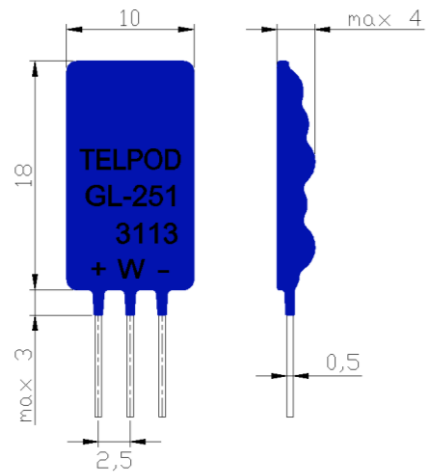
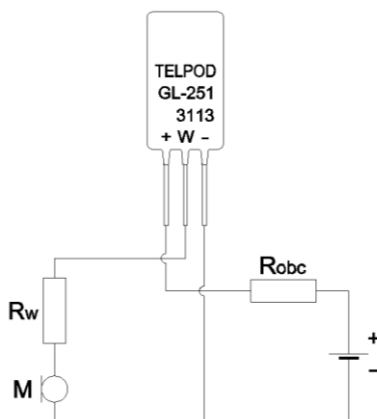


Fig. 1. Preview with dimensions [mm]

Parameter	Value
Gain K_u (at 1000 Hz)	23 - 28 dB
Frequency response (4dB)	300 - 3500 Hz
Supply voltage	6,3 V
Current consumption	max 10 mA
Self noise	max 2 mV
Output impedance module	200 Ω
Operating temperature	-25 ... +55 $^{\circ}C$

Connection method



Product marking

